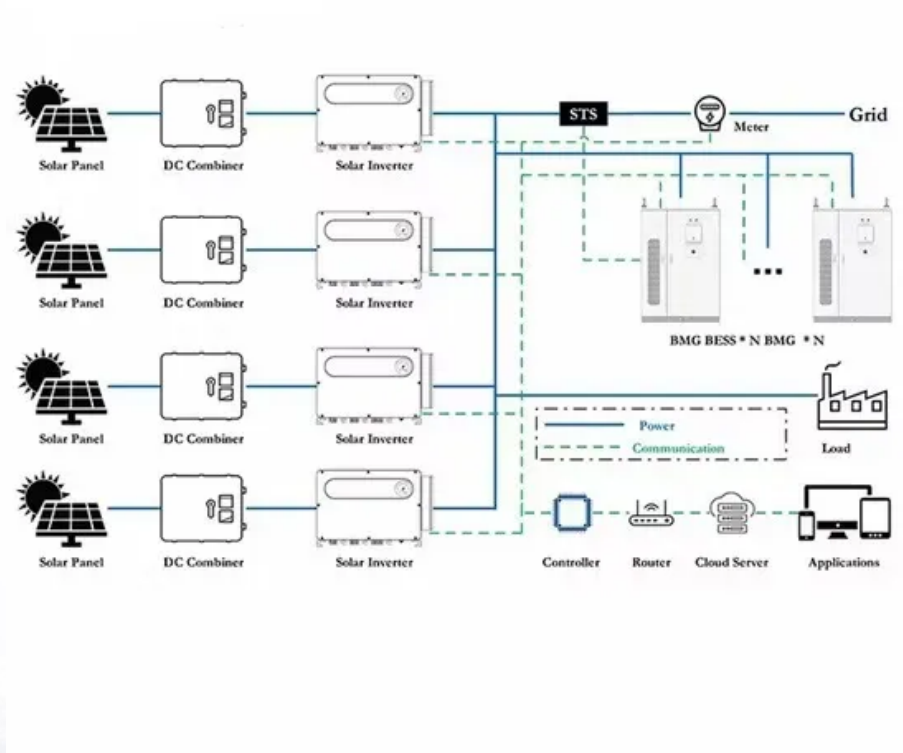


## Abb energy storage operation analysis library



## Overview

---

What is ABB library?

Start searching for documents or use existing filters. ABB Library is a web tool for searching for documents related to ABB products and services.

What is safety data library for ABB drives?

Safety data library for ABB Drives products including drive's STOs and Safety option modules. This file is in FSDT format, which is only used together with FSDT-01 calculation tool. SafetyBlocks\_PLCopenExt\_LV200\_AC500\_V22.lib is AC500-S Safety PLC library based on PLCopen Safety specification V2.0 (or newer).

What is ABB abilitytm energy manager?

ABB Ability™ Energy Manager Energy efficiency is essential for running your operations competitively. ABB Ability™ Energy Manager allows you to understand energy in real time and identify opportunities for continuous improvement. Its scalability allows the exploit.

What is a VDMA library for ABB safety products (jokab safety)?

VDMA library for ABB Safety Products (Jokab Safety). Suitable for SISTEMA, FSDT etc. AN00510, AN510, The document introduces the function blocks included in the Motion Control Extension Library and how to configure and use them in a program with examples.

How does ABB Edge Gateway work?

Provisioning is done by the ABB Provisioning Tool and, during that phase, it requires internet connectivity. Firmware update can be done by the ABB Provisioning Tool cabled to ETH0 and a laptop. The ABB Edge Gateway provides WiFi 3G and 4G communication options and, for long network without wire

## Abb energy storage operation analysis library

---



### Introduction to Energy Storage Solutions

Energy Storage can respond within milliseconds and supply power to maintain network continuity while the back-up generator is started and brought online. This enables generators to work at ...

### Introduction to Energy Storage Solutions

A Battery Energy Storage System (BESS), is the industry's generic reference name for a collection of equipment that comprise a system to store energy in batteries and use the energy ...



### Introduction to Energy Storage Solutions

Monitoring and diagnostics o Increasing asset health, reliability and safety Artificial Intelligence o Providing an optimal operation of the energy storage for increased battery lifetime and ROI ...

### ABB Ability(TM) Condition Monitoring for Energy Storage Systems

Our standard online features offer industry leading monitoring capabilities to fit your needs -- whether you want to view the ESS status through the ABB web portal or integrate this data ...



## Utility-scale battery energy storage system (BESS)

Analysis of relevant metrics to make better decisions and optimize the energy consumption of your facilities, reducing demand and reaching sustainability objectives.



## ABB ABILITY ENERGY MANAGEMENT AND ...

ABB OPTIMAX® for Energy Management and Optimization has evolved over the last 15 years from optimizing the operation of power plants to managing and optimizing energy, emissions ...



## Utility-scale battery energy storage system (BESS)

Introduction Reference Architecture for utility-scale battery energy storage system (BESS) This documentation provides a Reference Architecture for power distribution and conversion - and ...



## Battery Energy Storage as-a-Service

Are you considering deploying a battery energy storage systems (BESS) but have concerns about the investment and lifecycle management? Then our BESS-as-a-Service offering is the right ...

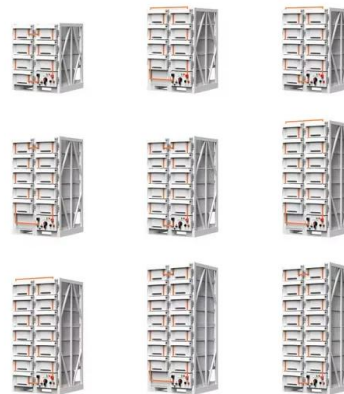


## **Energy efficiency handbook, Energy storage solutions**

ABB offers a comprehensive range of power converters and controllers designed for various applications across different industries. These products help ...

## **ABB Library**

The library offers a wide range of ready-made objects including typicals and templates for product routing, recipe-based CIP, track and trace, preventive plant maintenance and Excel-based bulk ...



## **WHITE PAPER Utility-scale battery energy storage system**

...

This documentation provides a Reference Architecture for power distribution and conversion - and energy and assets monitoring - for a utility-scale battery energy storage system (BESS). It ...



## ABB DRIVES Energy storage Application guide

This application guide will give the reader information about energy storage systems available on the market and their specific features, as well as a presentation of the ...



## Contact Us

---

For catalog requests, pricing, or partnerships, please visit:  
<https://solar.j-net.com.cn>