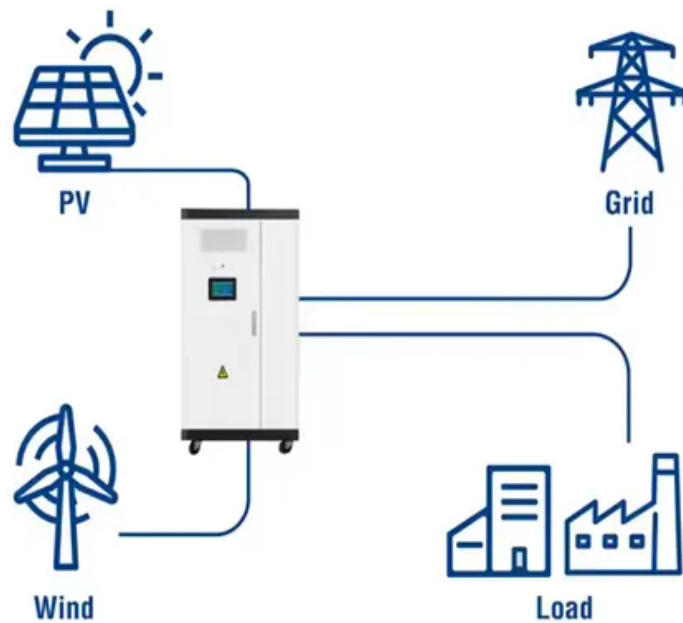


Current status of energy storage development in iraq

Utility-Scale ESS solutions



Overview

What is the future of electricity supply in Iraq?

There are a number of pathways available for the future of electricity supply in Iraq but the most affordable, reliable and sustainable path requires cutting network losses by half at least, strengthening regional interconnections, putting captured gas to use in efficient power plants, and increasing the share of renewables in the mix.

How has the turmoil impacted Iraq's power infrastructure?

But the turmoil has also undermined the country's ability to maintain and invest in its power infrastructure. This report maps out immediate practical actions and medium-term measures to tackle the most pressing problems in Iraq's electricity sector.

What type of energy is used in Iraq?

Renewable energy here is the sum of hydropower, wind, solar, geothermal, modern biomass and wave and tidal energy. Traditional biomass – the burning of charcoal, crop waste, and other organic matter – is not included. This can be an important energy source in lower-income settings. Iraq: How much of the country's energy comes from nuclear power?

.

How much electricity is available in Iraq in 2022?

Federal Iraq's available peak electricity generation supply was nearly 23 GW for 2022. The available supply in 2022 was much lower than the 34 GW needed to meet peak summer demand.⁶⁶ Iraq's electricity use is very seasonal and reaches peak capacity in the summer months.

How has war affected Iraq's power infrastructure?

Despite the extraordinary challenges of war in recent years, Iraq has made

impressive gains, nearly doubling the country's oil production over the past decade. But the turmoil has also undermined the country's ability to maintain and invest in its power infrastructure.

Why is there a power outage in Iraq?

Power outages in Iraq remain a daily occurrence for most households, as increasing generating capacity has been outrun by the increasing demand for electricity, spurred by greater cooling needs in the peak summer months.

Current status of energy storage development in Iraq



Intelligent energy storage design in Iraq

Chichain M T 2012 Status and future prospects of renewable energy in Iraq Renewable and Sustainable Energy Reviews 16 6007-12.
Salameh Z 2014 Renewable Energy System ...

Fault current limiters: , C& I Energy Storage System

The Article about Fault current limiters:Energy Storage Circuit Breaker Circuits: The Guardian Angels of Modern Power Systems Let's face it, folks - energy storage circuit breaker circuits ...



Solar energy status in Iraq: Abundant or not--Steps forward

Here, an overview is presented of the potential future demands and possible supply of solar energy in relation to Iraq. Solar and wind energy sources, which are clean, ...

#Unlocking Iraq's Renewable Energy Storage Potential: Current Status

As the global energy transition accelerates, Iraq is positioning itself as a key player in the Middle

East's renewable landscape, leveraging its vast solar potential and ...



Sustainable Transformation of Iraq's Energy System

A shift towards a sustainable energy system could help Iraq secure a reliable and affordable electricity supply, achieve cost savings and create long-term ...

[Iraq Solar Energy: From Dawn to Dusk](#)

This paper analyses the country's solar energy policy and addresses the barriers for developing the renewable energy system in light of the country's recent turmoil.



Iraq plans to raise oil production capacity above 6 ...

Iraq plans to raise oil production capacity to more than 6 million barrels per day (bpd) by 2029, the state news agency reported Iraq's oil ...



The Future of Renewable Energy in Iraq: Potential and Challenges

The simulation results show the feasibility of the proposed model, and demonstrate that the energy hubs, renewable sources, and energy storage in the proposed ...

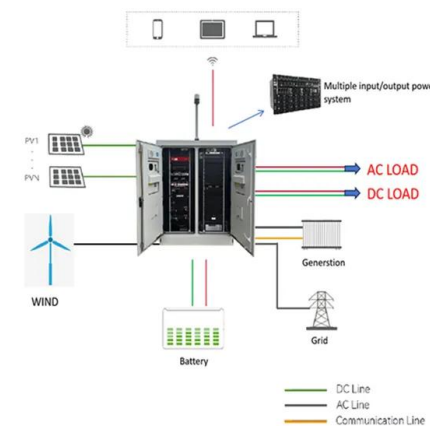


Analysis and Design of Iraq's Energy Storage Field: Challenges ...

Let's face it: when you think of Iraq, energy storage isn't the first thing that comes to mind. Oil? Sure. But with global shifts toward renewables and Iraq's own electricity shortages, the country ...

Energy storage applications in Iraq

The remainder of this paper is structured as follows. Section 2 demonstrates an overview of mounting the proposed photovoltaic-wind-battery system for residential appliances in Iraq. ...



The Kurdistan Region of Iraq: A Decade of Challenges and

The KRI has become a significant player in the oil and gas industry. The authors use production data from key fields to explore the factors influencing both individual fields and ...

Empowering Iraq: The \$27 Billion Deal for Iraq's ...

Bottom Line Iraq has struck a major deal with France's TotalEnergies company, bringing in \$27 billion in foreign investment to build up ...



Green Lending in the Kurdistan Region of Iraq: Support ...

This report investigates the current landscape of Renewable Energy (RE) financing in the Kurdistan Region of Iraq (KRI), focusing on deploying photovoltaic (PV) systems.

Transitioning to sustainable economic resilience through ...

The study investigates the potential of transitioning Iraq, a nation significantly dependent on fossil fuels, toward a green hydrogen-based energy system as a pathway to ...



Iraq's Energy Sector: A Roadmap to a Brighter Future

However the capacity to capture and process this gas has not kept pace. The inability to utilise its gas riches means that the country's gas ...

Towards Sustainable Water Resources Management In Iraq

Background The Task Force for the Future of Iraq's Water Resources convened at a time of unprecedented environmental crisis in the Tigris-Euphrates River basin. Iraq's water crisis ...



Exploring Iraq's Renewable Energy Investment

For companies exploring solar, wind, or energy storage opportunities in Iraq, understanding the current grid conditions, energy demand, and investment ...

Iraq targets 12 GW of renewables by 2030

Iraq, a major oil producer, aims to have 12 GW of renewables generation capacity by the end of the decade, oil minister Ihsan Abdul Jabbar told the country's official ...

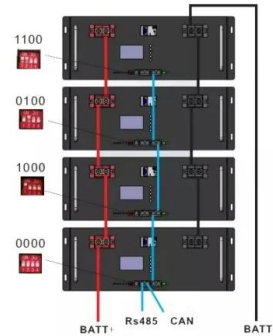


Energy storage industry development in Iraq

Energy storage techniques, applications, and recent trends: A Energy is essential in our daily lives to increase human development, which leads to economic growth and productivity. In recent ...

Energy transition assessment: Iraq

This energy transition assessment evaluates Iraq's current energy landscape, highlighting the barriers to renewable energy adoption and outlining key recommendations for a sustainable ...



Iraq Country Analysis Brief

Because of frequent government gridlock, Federal Iraq often faces delays in forming key legislation, passing annual budgets, and financing major energy projects by the government ...

Vaziri Solar Energy in Kurdistan, Iraq

Abstract This review article prepares an evaluation of the role that solar energy plays, in Kurdistan, Iraq. Specifically, it concentrates on the implications for the region's economy and ...



RETRACTED: Advancing toward a sustainable future in

With a profound interest in energy systems and sustainable technologies, Dr. Hassan work focuses on bridging innovative solutions with practical applications to address ...

Reimagining a way forward: Iraq's economy and energy sector in ...

On April 24, 2023, the Atlantic Council's Iraq Initiative convened a hybrid panel discussion to examine Iraq's current economic and energy landscape, and their future ...



New IEA report provides practical roadmap to address

...

BAGHDAD - Iraq, one of the world's biggest energy producers, can address its current electricity shortfall and growing power needs through ...

Energy storage industry development in Iraq

Various topics such as CO2 emissions, industry, human activities, and electricity distribution grids have attracted considerable attention because of the current state of crude oil production.



[Energy storage systems: a review](#)

The world is rapidly adopting renewable energy alternatives at a remarkable rate to address the ever-increasing environmental crisis of CO2 emissions....

Solar energy status in Iraq: Abundant or not Steps forward

The government and people of Iraq are not fully aware of the importance of renewable energy, and therefore, the development of related technology within the region is primarily the result of



Iraq's Path To Energy Security Is Taking Shape - ...

Energy security is a must for the success of Iraq's key infrastructure project, the Development Road, a \$17 billion rail and motorway ...

Solar energy status in Iraq: Abundant or not--Steps ...

(a) Energy consumption by sector, Iraq, 1999 which is a stable period in consumption. (N.B. Due to the increasing demand on private light ...



Home Energy Storage (Stackble system)



- High Efficiency
- Easy Installation
- Safe and Reliable
- Perfect Compatibility

- Product Introduction**
- Scalable from 10kWh to 50kWh
 - Self-Consumption Optimization
 - Integrated with Inverter to avoid the compatibility problem
 - LFP battery, safest and long cycle life
 - Stackable design, effortless installation
 - Capacity of high power
 - Emergency-Backup and Off-Grid Function

Review on the energy and renewable energy status in Iraq_ ...

The energy question in Iraq has suffered since 1958 onward due to geopolitical of inde nable goals for the people needs, wellbeing fi development and their interest.

Contact Us

For catalog requests, pricing, or partnerships, please visit:
<https://solar.j-net.com.cn>