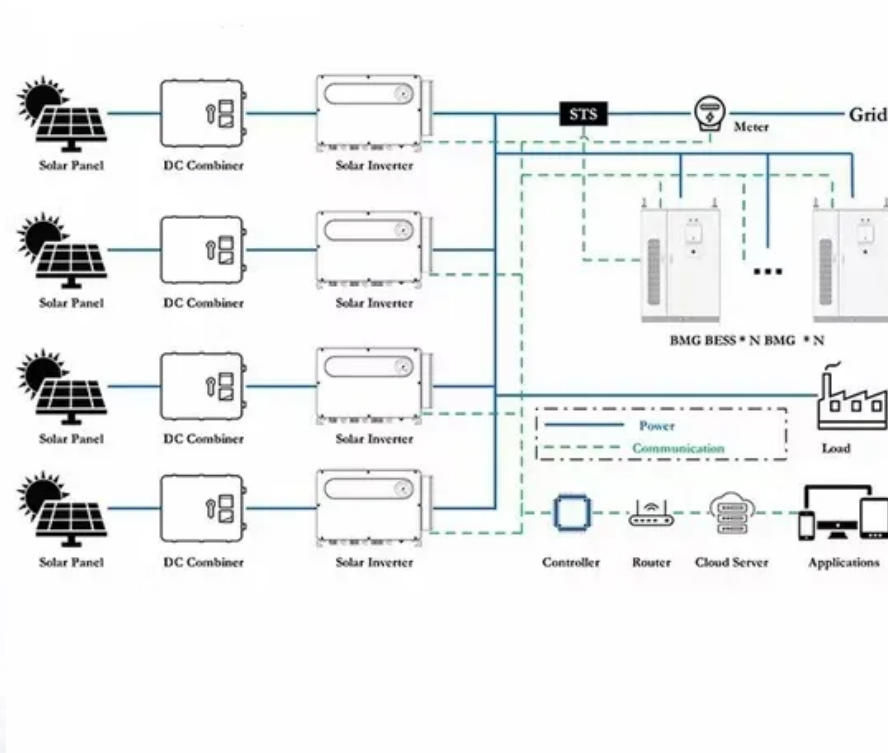


## Energy storage power station lava pump manufacturer



## Overview

---

The following page lists all power stations that are larger than 1,000 in installed generating capacity, which are currently operational or under construction. Those power stations that are smaller than 1,000 MW, and those that are decommissioned or only at a planning/proposal stage may be found in regional lists, listed at the end of the page.

What are pumped storage power plants?

Pumped storage power plants are currently the most economical way of efficiently storing large amounts of energy over a longer period. As the leading technology for energy storage services, pumped storage not only balances variable power production, but with its firm capacity it also serves as a reliable back-up.

How does a pumped storage power station work?

Penstock is used to connect the two reservoirs. The key components of a pumped storage power station are the hydro turbine and pump, which usually adopt the form of bladed hydraulic machinery. The mechanical energy of the water and the mechanical energy of the runner can be converted to each other.

What is lava power?

LAVA Power – Turning heat into zero emission electricity. The world's most efficient heat engine transforms heat into zero-emission electricity at near-perfect efficiency.

Why is pumped Energy Storage important?

As the leading technology for energy storage services, pumped storage not only balances variable power production, but with its firm capacity it also serves as a reliable back-up. This ensures grid stability while reducing the risk of blackouts.

How much energy is stored in pumped storage reservoirs?

According to a recent analysis paper by the International Hydropower Association (IHA), the estimated total energy stored in pumped storage reservoirs worldwide is up to 9,000 GWh. At its heart pumped storage power plant technology sees water pumped to a higher elevation reservoir when there is a surplus of electricity.

What is a pumped storage system?

1. The Pumped Storage System and Its Constituent Elements Pumped storage hydro is a mature energy storage method. It uses the characteristics of the gravitational potential energy of water for easy energy storage, with a large energy storage scale, fast adjustment speed, flexible operation and high efficiency .

## Energy storage power station lava pump manufacturer



### Pumping Lava From the Nether using Buildcraft Pump and Ender Storage

Learn Game Design on my main channel: / @candlesan This video describes how to pump lava from the nether to your Geothermal generator. There is no way to pump lava from the nether to your

### Pumped Storage Power Station (Francis Turbine)

Pumped storage power plants are a type of hydroelectric power plant; they are classified as a form of renewable (green) power generation. Pumped storage ...

To Strive forward No Energy Waste



- ✓ All in one
- ✓ 100~215kWh High-capacity
- ✓ Intelligent Integration

### LAVO

LAVO is pioneering a clean energy future, committed to making clean energy accessible, affordable, and dependable. We reimagine energy solutions for innovative, customer-centric ...



### Construction of pumped storage power stations among cascade ...

As the most mature and cost-effective energy storage technology available today, pumped storage power stations utilize excess WPP to pump water from a lower reservoir (LR) ...



## PUMPED STORAGE HYDROELECTRIC SCHEMES AND ...

A pumped storage scheme consists of lower and upper reservoirs with a power station/pumping plant between the two. During off-peak periods, when customer demand for electricity has ...

## China's Fengning Station: World's Largest Pumped Hydro Power Plant ...

The Fengning pumped storage hydropower plant in Hebei province (courtesy: State Grid Corporation of China) China has set a new global benchmark in the global ...



## List of pumped-storage hydroelectric power stations

The following page lists all pumped-storage hydroelectric power stations that are larger than 1,000 MW in installed generating capacity, which are currently operational or under construction. Those power stations that are smaller than 1,000 MW, and those that are decommissioned or only at a planning/proposal stage may be found in

regional lists, listed at the end of the page.

## Electrical Systems of Pumped Storage Hydropower Plants

This report covers the electrical systems of PSH plants, including the generator, the power converter, and the grid integration aspects. Future PSH will most likely be influenced by the

...



## Ouagadougou's Lava Energy Storage: Powering Africa's Future ...

Why This Unusual Energy Solution Matters to Burkina Faso While sipping bissap juice at a Ouagadougou café, have you ever wondered how this landlocked nation ...

## Pumped Storage Hydropower

Pumped storage hydro - "the World's Water Battery" Pumped storage hydropower (PSH) currently accounts for over 90% of storage capacity and stored energy in grid scale ...



## Pumped storage power stations in China: The past, the present, ...

The pumped storage power station (PSPS) is a special power source that has flexible operation



modes and multiple functions. With the rapid economic development in ...

## China: world's largest pumped hydro energy storage ...

Inside the pumped hydro energy storage plant (PHES). Image: China Energy News. The 12th and final turbine unit of a pumped hydro energy ...



## Xiamen Pumped Storage Power Station

We make clean energy more efficient and profitable than fossil fuels , LAVA addresses the key challenges of renewable energy: efficiency, intermittency, ...

## A Review of Technology Innovations for Pumped Storage ...

In addition to short-duration energy storage technologies, such as batteries and flywheels, there will be a need for large amounts of long-duration energy storage (LDES) that will provide power ...





## World's largest pumped storage hydropower plant in ...

A drone photo taken on Dec. 31, 2024 shows the underground workshop of Fengning pumped-storage power station in Fengning Manchu Autonomous ...

## Battery Energy Storage Systems Report

This information was prepared as an account of work sponsored by an agency of the U.S. Government. Neither the U.S. Government nor any agency thereof, nor any of their employees, ...



## Storage Power Stations: The Game-Changer in Modern Energy ...

Ever wondered how we'll keep the lights on when the sun isn't shining or the wind stops blowing? Enter storage power stations - the unsung heroes of our energy transition. These technological ...



## Pumped storage hydropower operation for supporting clean energy ...

Pumped storage hydropower stores energy and provides services for the electrical grid. This Review discusses the types, applications and broader effects of this form of ...



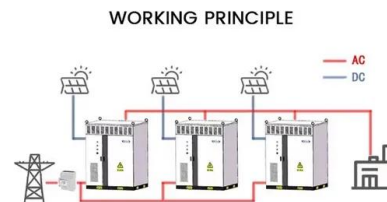
## Pumped hydro storage for intermittent renewable energy

Globally, communities are converting to renewable energy because of the negative effects of fossil fuels. In 2020, renewable energy sources provided about 29% of the ...



## China Power Station, Energy Storage, Generator Manufacturers, Suppliers

Fuan Acepow Equipment Co.,Ltd: We're professional power station, energy storage, generator, portable battery, solar battery manufacturers and suppliers in China. With abundant ...



## Top 10 Portable Power Station Manufacturers in China

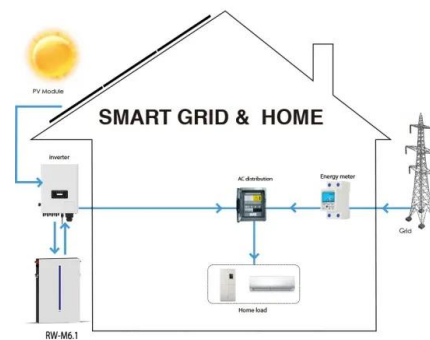
China, a powerhouse in manufacturing and innovation, stands at the forefront of this industry, boasting top-tier manufacturers renowned for their quality, ...

**12.8V 200Ah**



**Power Station Manufacturer, Portable Power Station, ...**

Power Station Supplier, Portable Power Station, Solar Generator Manufacturers/ Suppliers - Shenzhen Pordie Energy Technology Co., Ltd.

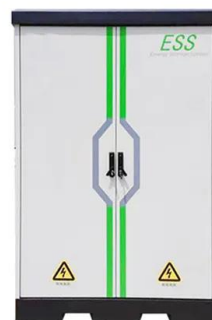


**Pumped energy storage system technology and its ...**

Pumped-storage hydropower plants can contribute to a better integration of intermittent renewable energy and to balance generation and ...

**World's largest pumped storage hydropower plant in ...**

A drone photo taken on Dec 31, 2024 shows the underground workshop of Fengning pumped-storage power station in Fengning Manchu autonomous ...





## National Hydropower Association 2021 Pumped Storage Report

What continues to present a challenge to those seeking to understand the varying costs for different energy storage technologies is the recognized inconsistency between how each ...

### Pumped storage by ANDRITZ

Global energy demand is growing but at the same time there is a need for clean energy. This entails massively increasing the installed base of variable output renewable power generation ...



### List of energy storage power plants

This is a list of energy storage power plants worldwide, other than pumped hydro storage. Many individual energy storage plants augment electrical grids by ...



### PUMP HYDRO TURBINE

With its broad portfolio ranging from 30 MW to 400 MW per unit with heads up to 1,000+ meters, GE Renewable Energy has a pump turbine to suit each site configuration.



## Shanping Energy Storage Power Station: The Giant Battery

Why the World Can't Stop Talking About This Mega Project a mountain valley in China's Guangdong province quietly holding enough electricity to power 200,000 homes for 24 hours.

...

## Contact Us

---

For catalog requests, pricing, or partnerships, please visit:  
<https://solar.j-net.com.cn>