

Introduction to huijue energy storage department



Overview

Shanghai Huijue Technologies Group Co., Ltd (Huijue Group) was founded in 2002, is in the field of energy storage system in the leading technology innovation company, to provide customers with the optimal energy storage system solutions and safe and efficient.

Shanghai Huijue Technologies Group Co., Ltd (Huijue Group) was founded in 2002, is in the field of energy storage system in the leading technology innovation company, to provide customers with the optimal energy storage system solutions and safe and efficient.

Shanghai Huijue Technologies Group Co., Ltd (Huijue Group) was founded in 2002, is in the field of energy storage system in the leading technology innovation company, to provide customers with the optimal energy storage system solutions and safe and efficient storage full range of products.

Founded in 2002, Huijue Group is a high-tech service provider integrating intelligent energy storage equipment and computer intelligent network communication system integration and application. Huijue Network's products are exported to Europe, North America, Southeast Asia and other countries and.

Huijue Group stands at the forefront of energy storage technology, offering innovative solutions tailored to meet the diverse needs of industries, telecommunications, and households. Their advanced energy storage systems not only enhance energy efficiency but also ensure reliable power supply.

Huijue Group's energy storage solutions (30 kWh to 30 MWh) cover cost management, backup power, and microgrids. To cope with the problem of no or difficult grid access for base stations, and in line with the policy trend of energy saving and emission reduction, Huijue Group has launched an.

Huijue Group was founded in 2002, is leading Energy storage battery Manufacturer in China , to provide customers with the optimal energy storage system solutions and safe and efficient storage full range of products, covering household energy storage system, industrial and commercial energy

storage.

Huijue, a leading BESS manufacturer, offers top-performing lithium battery-powered storage solutions. Ideal for grids, commercial, and industrial applications, our systems seamlessly integrate and optimize renewable energy sources. Huijue, a pioneer in Battery Energy Storage Site technology, stands.

Introduction to huijue energy storage department

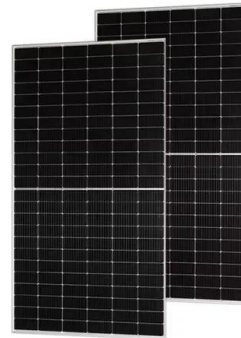


Energy Storage Site Topology Design , Huijue Group E-Site

The Hidden Challenges of Modern Energy Infrastructure Why do 43% of battery energy storage systems (BESS) underperform within their first operational year? At the heart of this issue lies ...

Huijue bangladesh energy storage project series

Product Introduction. Huijue Group's new generation of home energy storage battery system integrates lithium batteries, battery management systems and LCD screens. The touch screen ...



Energy Storage Project Case , Home & Industrial , Huijue Group

Discover Huijue Group's energy storage Project Case for homes, industries, and microgrids. Explore global projects integrating lithium batteries, BMS, and EMS.

[Sweden huijue energy storage](#)

Product Introduction. Huijue Group's new generation of liquid-cooled energy storage container system is equipped with 280Ah lithium

iron phosphate battery and integrates industry-leading



Huijue Energy Storage Treatment: Powering the Future with ...

Ever wondered how companies like Huijue are revolutionizing energy storage? If you're an industry professional, tech enthusiast, or someone curious about sustainable energy solutions, ...



Huijue energy storage project planning

Are Huijue's Containerized BESS scalable to meet growing energy storage needs? Yes, Huijue's Containerized BESS are designed to be scalable. The modular nature of the containers allows ...



Videos , Huijue Group Energy Storage Solutions in Action

Watch Huijue Group's energy storage solution videos, including product demos, installation guides, and case studies on BMS, EMS, and lithium battery systems.



BESS Equipment & Solutions , Industrial ESS, Home ...

Browse Huijue's comprehensive range of energy storage solutions including industrial ESS systems, home energy storage batteries, and commercial ...

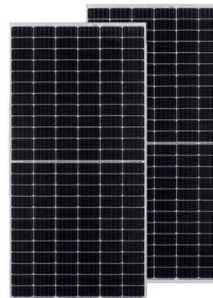


Huijue energy storage pack department

In terms of safety, Huijue Group's energy storage system features a comprehensive fire protection system designed to address potential risks promptly. Stringent quality controls and ...

Is Huijue Energy Storage Working Well? A Deep Dive into ...

Case Studies: When Huijue Saved the Day (and the Grid) Talk is cheap; let's talk data. In 2022, a manufacturing plant in Germany slashed energy costs by 40% using ...





Energy Storage Equipment, Energy storage solutions, Lithium ...

Huijue Group's energy storage solutions (30 kWh to 30 MWh) cover cost management, backup power, and microgrids. To cope with the problem of no or difficult grid ...

Energy Storage Solutions Make Energy Cleaner And More Efficient

HJ-HSO48 energy storage system includes a 3kw or 5kw solar inverter and a lithium battery storage with optional energy ranging from 5120-10240Wh. This one-stop service system ...



Huijue technology's energy storage power station , C& I Energy Storage

Enter Huijue Technology's energy storage power station, the unsung hero keeping your lights on during Netflix binge sessions and powering factories when the sun plays hide-and-seek.

French Clients Visit Huijue Group Headquarters, Tour Newly ...

This visit by the French clients deepened mutual understanding and laid the foundation for Huijue Group's expansion into the French market. In the future, Huijue Group will ...

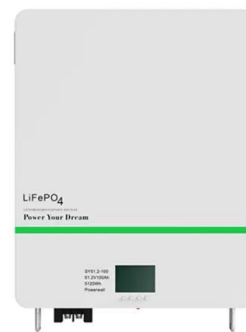


Huijue energy storage company introduction

Mr. Xu provided a brief introduction to the company's current products, technologies, and Discover Huijue Group's advanced liquid-cooled energy storage container system, featuring a ...

BESS (Battery Energy Storage Systems)

Boost energy storage with Industrial/Commercial & Home BESS, powered by lithium batteries. Ensure grid stability, savings, & backups. Plus, power base stations with Huijue Energy ...



Huijue energy storage industry policy

Established in 2002, Huijue Group is a high-tech manufacturer specializing in intelligent network communication equipment. Renowned for its cutting-edge innovations in energy storage ...

Huijue Group's "Oil-to-Light Storage" Base Station Energy Solution

This solution utilizes Huijue's self-developed intelligent hybrid energy control system, integrating photovoltaic power generation, lithium-ion battery storage, and emergency ...



[Huijue Group China](#)

Founded in 2002, Huijue Group is a high-tech service provider integrating intelligent energy storage equipment and computer intelligent network communication system integration and ...

BESS manufacturer, energy storage system solution provider

Huijue, a leading manufacturer of solar energy storage products and provider of energy storage system solutions. Dedicated to developing efficient and reliable storage solutions, we offer ...



[new energy battery](#)

The All-in-One Energy Storage System by Huijue Group seamlessly integrates a solar inverter and a lithium battery, delivering an efficient and reliable new energy solution.



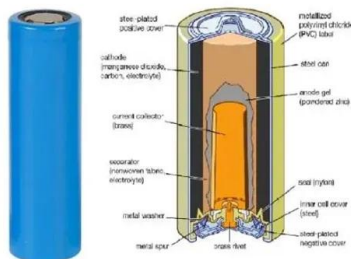
Energy Storage Batteries , Lithium Battery Systems for ...

We provide customized services for various energy storage facilities, and can customize exclusive solutions. Including home energy storage, base station energy storage and commercial energy ...



Huijue Energy Storage Project Department

215 KWh-1075 KWh Outdoor Air-Cooled Energy Storage System Huijue Group's industrial and commercial distributed energy storage, single cabinet independent control and management, ...



Introduction to huijue energy storage department

Huijue Group was founded in 2002, is leading Base station energy storage Manufacturer in China, to provide customers with the optimal energy storage system solutions and safe and efficient ...



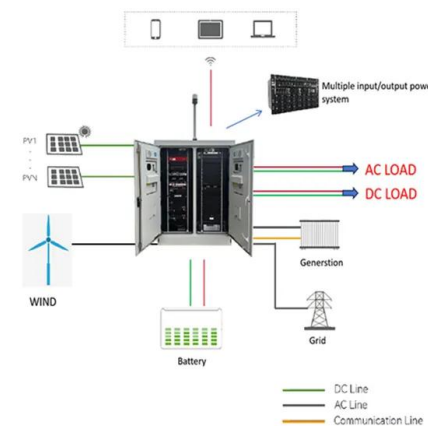


Huijue energy storage pack department

Energy Storage Battery Huijue Group was founded in 2002, is leading Energy Storage Battery Manufacturer in China, to provide customers with the optimal energy storage system solutions ...

Shanghai Huijue - 2025 Autumn Canton Fair Participation

Join Shanghai Huijue Technologies Group at the 2025 Canton Fair in Guangzhou, showcasing energy storage, PV containers, EMS systems & smart green solutions.



Huijue energy storage s latest production plan

Huijue Group's Industrial and commercial energy storage system adopts an integrated design concept, integrating batteries in the cabinet, battery management system BMS, energy ...

BESS manufacturer, energy storage system solution ...

Huijue, a leading manufacturer of solar energy storage products and provider of energy storage system solutions. Dedicated to developing efficient and reliable ...



Department of Energy Battery Storage: Powering the Future

The Department of Energy 's Battery Mission
 When your phone dies during a blackout, you're experiencing the exact problem the Department of Energy battery storage initiatives aim to ...



Internal Job Hopping at Huijue Energy Storage: Why Switching ...

Let's cut to the chase - when we talk about internal job hopping at Huijue Energy Storage, we're not discussing caffeine-addicted employees playing desk shuffleboard. This is about strategic ...



Energy storage concept huijue technology

Product Introduction. Huijue Group's Industrial and commercial energy storage system adopts an integrated design concept, integrating batteries, battery management system BMS, energy ...



Contact Us

For catalog requests, pricing, or partnerships, please visit:
<https://solar.j-net.com.cn>