

Spanish steam energy storage tank



Spanish steam energy storage tank



Spain's EUR700 Million Plan to Boost Energy Storage ...

Spain has launched an ambitious EUR700 million (around \$796 million) program to increase its energy storage capacity. This plan will add 2.5 ...

Blog , Sustainable Steam , How Thermal Energy Storage Helps

Thermal energy storage (TES) and other forms of long-duration energy storage (LDES) are two promising avenues to maximise the potential of an evolving situation. The need to adopt ...



Hybrid storage solution steam-accumulator combined to concrete-block ...

This work presents a novel steam accumulator and concrete-block storage system (SACSS) to recover part of the energy lost through the steam cycle side...

Molten Salts Tanks Thermal Energy Storage: Aspects ...

Concentrating solar power plants use sensible thermal energy storage, a mature technology based on molten salts, due to the high storage ...

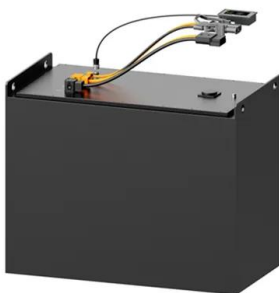


Thermal energy storage evaluation in direct steam generation ...

The second considered TES option uses steam accumulators for storing and producing saturated steam and a two-tank molten salt system for storing energy to superheat ...

[Spanish steam energy storage tank](#)

Spanish steam energy storage tank The global energy storage market is growing strongly. Spain, as an important member of the European renewable energy market, the energy storage ...

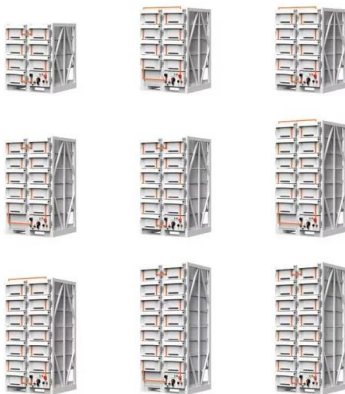


A Guide to Thermal Energy Storage Tanks: Usage ...

As the world moves towards sustainable and energy-efficient solutions, thermal energy storage tanks have emerged as an invaluable tool in ...

Using steam storage tanks instead of accumulators

70% of your power can be pollution free green solar No oil required steam setup is cheaper (iron/copper) than accumulators (by a lot 400% or something) coal consumption drops ...

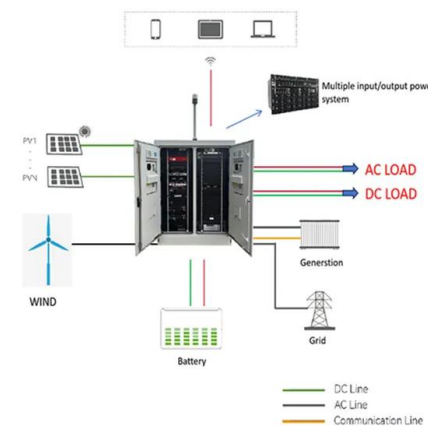


Investigating the effect of energy storage tanks on ...

Highlights o Optimal design of integrated energy system is performed from economic viewpoint. o Both thermal and cooling energy storage tanks are included in the ...

Storing energy using molten salts

Its storage system consisted of a pressurized water tank to deliver saturated steam and a small molten salt storage system to superheat the steam using as storage ...



Managua steam energy storage tank

A steam accumulator is an insulated steel pressure tank containing hot water and steam under pressure is a type of energy storage device. It can be used to smooth out peaks and troughs in ...

Design and experimental validation of a computational effective ...

For this reason, a dynamic thermal energy tank model intended to be used in concentrating solar thermal power plant models is presented in this paper. The developed tank ...



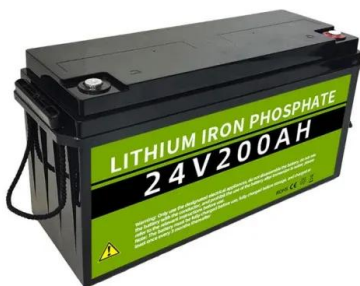
- IP65/IP55 OUTDOOR CABINET
- ALUMINUM
- OUTDOOR ENERGY STORAGE CABINET
- OUTDOOR EQUIPMENT CABINET

olimpskrzyszow.pl

Anyways, steam storage tanks are just energy storage, and if you think about it the available coal is also stored energy waiting to be used. Converting it from one type of storage to the other is ...

Blog , Sustainable Steam , How Thermal Energy ...

Thermal energy storage (TES) and other forms of long-duration energy storage (LDES) are two promising avenues to maximise the potential of an evolving ...



Chuxiong Steam Energy Storage Tank: The Future of Industrial Energy

Imagine your steam system as a hungry dragon - it either breathes fire at full capacity or sleeps completely. This "all-or-nothing" approach wastes enough energy to power a small town. Enter ...

Dodoma Steam Energy Storage Tank: The Game-Changer Your ...

...

Why Steam Energy Storage is the Talk of the Town (And Your Factory Floor) a world where factories hum along smoothly without energy waste interrupting production like ...



Two-tank molten salts thermal energy storage system for solar ...

Afterwards, the authors experimentally perform the comparison in a two-tank molten salts thermal energy storage pilot plant built at the University of Lleida (Spain).

Molten Salts Tanks Thermal Energy Storage: Aspects to ...

Concentrating solar power plants use sensible thermal energy storage, a mature technology based on molten salts, due to the high storage efficiency (up to 99%). Both ...



Commercial and Industrial ESS

Air Cooling / Liquid Cooling

- Budget Friendly Solution
- Renewable Energy Integration
- Modular Design for Flexible Expansion



Spanish Energy Storage Industry: Powering a Sustainable Future ...

Let's face it: Spain is quickly becoming Europe's renewable energy playground. With solar panels popping up like olive trees and wind farms dotting the landscape, the country ...

Thermal energy storage

A steam accumulator consists of an insulated steel pressure tank containing hot water and steam under pressure. As a heat storage device, it is used to mediate heat production by a variable or ...



High-temperature molten-salt thermal energy storage and ...

The latest concentrated solar power (CSP) solar tower (ST) plants with molten salt thermal energy storage (TES) use solar salts 60%NaNO₃-40%KNO₃ with temperatures ...

The use of pressure hot water storage tanks to improve the energy

Water with design temperature in the feed water tank flows into the water pressure tanks to reduce the electric power of the unit in the off-peak night hours. The hot ...



Solar Thermal Energy Storage Systems

Although many different energy storage devices, such as systems using batteries, flywheels, or compressed air, to be used in conjunction with solar photovoltaics ...

Thermal energy storage for direct steam generation concentrating ...

The known storage systems associated with these plants are thermal storage systems accommodating heat from both saturated and superheated steam. The performance ...



Thermal energy storage concepts for direct steam

Direct steam generation (DSG) technology is a proven option for future cost reduction of concentrating solar thermal power plants in comparison with other concentrating ...

Steam energy storage tank design calculation

Storage tanks play a significant role in the oil and gas industry. Since the safety and efficiency of storage tank construction are crucial, American Petroleum Institute (API) has developed ...



Liangshan Steam Energy Storage Tank: Revolutionizing Industrial Energy

Let's face it - industrial energy costs are like stubborn coffee stains on your favorite shirt. Just when you think you've optimized everything, steam system inefficiencies ...

Thermal Energy Storage , Tank Types , Caldwell

For Hot Water Thermal Energy Storage, Caldwell not only offers the ability to use traditional tank storage, but also the opportunity to gain a pressurized solution. ...



Green steam with thermal energy storage -- Hyme Energy

Hyme's solution transforms renewable electricity into reliable, green and cost-competitive steam for industrial processes. Discover how our solution works and can support you in your ...

Thermo-economic analysis of steam accumulation and solid thermal energy

In direct steam generation (DSG) concentrated solar power (CSP) plants, a common thermal energy storage (TES) option relies on steam accumulation. Thi...



Contact Us

For catalog requests, pricing, or partnerships, please visit:
<https://solar.j-net.com.cn>